

3BUILT LLC
REMOTELY ACTIVATED SWITCH/RELAY
END USER AGREEMENT

NOTICE TO USER: PLEASE READ THIS AGREEMENT CAREFULLY. BY INSTALLING AND/OR USING ALL OR ANY PORTION OF THIS PRODUCT YOU ACCEPT ALL THE TERMS AND CONDITIONS OF THIS AGREEMENT, INCLUDING, IN PARTICULAR THE LIMITATIONS ON: FUNCTIONALITY AND RANGE IN SECTION 2; WARRANTY IN SECTION 3; LIABILITY IN SECTION 5. YOU AGREE THAT THIS AGREEMENT IS LIKE ANY WRITTEN NEGOTIATED AGREEMENT SIGNED BY YOU. THIS AGREEMENT IS ENFORCEABLE AGAINST YOU AND ANY LEGAL ENTITY THAT OBTAINED THE PRODUCT AND ON WHOSE BEHALF IT IS USED.

IF YOU DO NOT AGREE TO THE TERMS OF THIS AGREEMENT OR ARE UNDER 18 YEARS OLD, DO NOT INSTALL OR USE THIS PRODUCT. RETURN UNUSED PRODUCT WITHIN TEN (10) DAYS OF PURCHASE FOR A FULL REFUND OF PURCHASE PRICE. VISIT [HTTP://WWW.3BUILT.COM](http://www.3built.com) OR E-MAIL SALES@3BUILT.COM FOR REFUND INFORMATION.

1. DEFINITIONS

- a. "3Built" means 3Built LLC, a California Limited Liability Company, 23036 Windom St., West Hills, Ca. 91307.
- b. "Product" means any radio frequency remotely activated switch/relay sold by 3Built. Also known as, but not limited to, remote engine shut-off, remote kill switch, universal remote switch.
- c. "Documentation" means the Installation Instructions.

2. FUNCTIONALITY AND RANGE. This is a radio frequency controlled device. It is susceptible to radio frequency interference. The control signal is encoded to reduce the possibility of interference but it cannot be eliminated. The interference may cause the Product not to function as stated or desired. This may include non-operation, decreased range, and accidental triggering of the Product.

3. LIMITED WARRANTY. 3Built warrants to the individual or entity that first purchases the Product pursuant to the terms of this agreement that the Product will perform substantially in accordance with the Documentation for the sixty (60) day period following receipt of the Product when used as directed in the Documentation. Non-substantial variation of performance from the Documentation does not establish a warranty right. THIS LIMITED WARRANTY DOES NOT APPLY TO IMPROPERLY INSTALLED, ALTERED OR ABUSED PRODUCT. All warranty claims must be made, along with proof of purchase, within such sixty (60) day period. If the Product does not perform substantially in accordance with the Documentation, the entire liability of 3Built and its affiliates and your exclusive remedy will be limited to either, at 3Built's option, replacement of the Product or refund of the purchase price paid for the Product. THE LIMITED WARRANTY SET FORTH IN THIS SECTION GIVES YOU SPECIFIC LEGAL RIGHTS. YOU MAY HAVE ADDITIONAL RIGHTS WHICH VARY FROM JURISDICTION TO JURISDICTION.

4. DISCLAIMER. THE FOREGOING LIMITED WARRANTY IS THE ONLY WARRANTY MADE BY 3BUILT AND ITS AFFILIATES AND STATES THE SOLE AND EXCLUSIVE REMEDIES FOR 3BUILT, ITS AFFILIATES OR SUPPLIERS' BREACH OF WARRANTY. EXCEPT FOR THE FOREGOING LIMITED WARRANTY AND ANY WARRANTY, CONDITION, REPRESENTATION OR TERM TO THE EXTENT THE SAME CANNOT OR MAY NOT BE EXCLUDED OR LIMITED BY LAW APPLICABLE TO YOU IN YOUR JURISDICTION, 3BUILT AND ITS AFFILIATES AND SUPPLIERS PROVIDE THE PRODUCT *AS-IS* AND *WITH ALL FAULTS* AND EXPRESSLY DISCLAIM ALL OTHER WARRANTIES, CONDITION, REPRESENTATIONS OR TERMS, EXPRESS OR IMPLIED, WHETHER BY STATUTE, COMMON LAW, CUSTOM, USAGE OR OTHERWISE AS TO ANY MATTER, INCLUDING BUT NOT LIMITED TO PERFORMANCE, SECURITY, NON-INFRINGEMENT OF THIRD PARTY RIGHTS, INTEGRATION, MERCHANTABILITY, QUIET ENJOYMENT, SATISFACTORY QUALITY OR FITNESS FOR ANY PARTICULAR PURPOSE. The provisions of Sections 4 and Section 5 will survive the termination of this

agreement, howsoever caused, but this will not imply or create any continued right to use the Product after termination of this Agreement.

5. **LIMITATION OF LIABILITY.** EXCEPT FOR THE EXCLUSIVE REMEDY SET FORTH ABOVE AND AS OTHERWISE PROVIDED IN SECTION 3, IN NO EVENT WILL 3BUILT OR ITS AFFILIATES OR SUPPLIERS BE LIABLE TO YOU FOR ANY LOSS, DAMAGES, CLAIMS OR COSTS WHATSOEVER INCLUDING ANY CONSEQUENTIAL, INDIRECT OR INCIDENTAL DAMAGES, ANY LOST PROFITS OR LOST SAVINGS, ANY DAMAGES RESULTING FROM BUSINESS INTERRUPTION, PERSONAL INJURY OR FAILURE TO MEET ANY DUTY OF CARE, OR CLAIMS BY A THIRD PARTY, EVEN IF A 3BUILT REPRESENTATIVE HAS BEEN ADVISED OF THE POSSIBILITY OF SUCH LOSS, DAMAGES, CLAIMS OR COSTS. THE FOREGOING LIMITATIONS AND EXCLUSIONS APPLY TO THE EXTENT PERMITTED BY APPLICABLE LAW IN YOUR JURISDICTION. 3BUILT'S AGGREGATE LIABILITY AND THAT OF ITS AFFILIATES AND SUPPLIERS UNDER OR IN CONNECTION WITH THIS AGREEMENT WILL BE LIMITED TO THE AMOUNT PAID FOR THE PRODUCT, IF ANY. THIS LIMITATION WILL APPLY EVEN IN THE EVENT OF A FUNDAMENTAL OR MATERIAL BREACH OR A BREACH OF THE FUNDAMENTAL OR MATERIAL TERMS OF THIS AGREEMENT.
6. **INDEMNITY.** You agree to hold 3Built harmless from any and all liabilities, losses, actions, damages, or claims (including all reasonable expenses, costs, and attorneys fees) arising out of or relating to any use of, or reliance on, the Product, including, without limitation reliance on a) batteries, b) range, c) installation, d) performance, and e) failure to exercise reasonable judgment. Nothing contained in this agreement limits 3Built's liability to you in the event of death or personal injury resulting from 3Built's negligence or for the tort of deceit (fraud). 3Built is acting on behalf of its affiliates and suppliers for the purpose of disclaiming, excluding and limiting obligations, warranties and liability, but in no other respects and for no other purpose.
7. **GOVERNING LAW.** This agreement will be governed by and construed in accordance with the substantive laws in force in the State of California, if the Product is purchased when you are in the United States, Canada, or Mexico.
8. **GENERAL PROVISIONS.** If any part of this agreement is found void and unenforceable, it will not affect the validity of the balance of this agreement, which will remain valid and enforceable according to its terms. This agreement will not prejudice the statutory rights of any party dealing as a consumer. This agreement may only be modified by a writing signed by an authorized member of 3Built. This is the entire agreement between 3Built and you relating to the Product and it supercedes any prior representations, discussions, undertakings, communications or advertising relating to the Product.

INSTALLATION INSTRUCTIONS

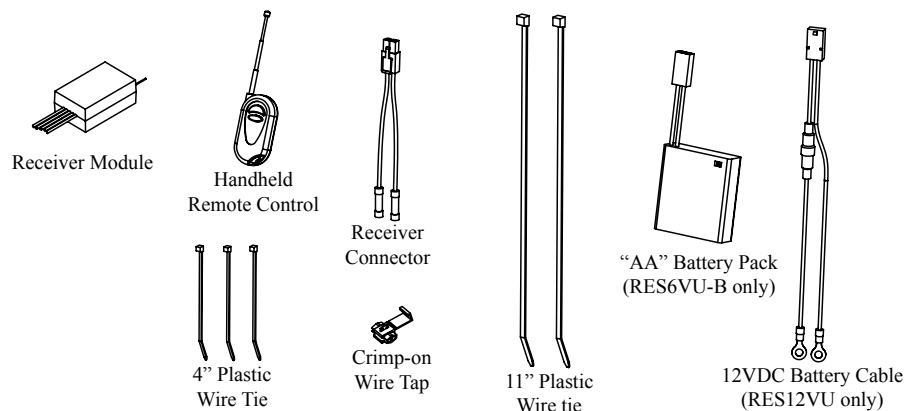
WARNING

BY INSTALLING OR USING THIS PRODUCT YOU AGREE TO OUR "END USER AGREEMENT". IT IS INCLUDED WITH THESE INSTRUCTIONS AND AVAILABLE ON-LINE AT <http://www.3built.com/documents.asp>

Use of this product could result in injuries to the rider due to the sudden loss of engine power. Motorcycles and ATV's may lose stability when engine power is disabled. Control of the vehicle will also be limited after engine is disabled. This product will not stop a vehicle. It will not apply the brakes or any other mechanism to reduce speed. It is designed to disable the engine by shutting off the ignition system. It functions similarly to the vehicle's stock (OEM) STOP/RUN switch. Use extreme caution as to when and where the vehicle is before disabling the engine. Proper judgment must be used when disabling engine power. Performance and range is not guaranteed. Radio frequency interference may be common in some areas. Use of motorcycles, ATV's and other motor vehicles is an inherently dangerous activity. Wear proper protective gear when operating the vehicle. If any doubt of potential injury, do not use. Once installed, to understand how this product functions, test the device by disabling the vehicle's engine, first at idle and then at low speed. This product's installation and use is at your own risk. This product is intended to be installed and used by adults only.

This device complies with part 15 of the FCC Rules. Operation is subject to the following two conditions: (1) This device may not cause harmful interference, and (2) this device must accept any interference received, including interference that may cause undesired operation.

INCLUDED PARTS



GETTING STARTED

- 1) Installation of this device requires electrical and electronics knowledge.
- 2) You should have a wiring diagram for your vehicle before installation. This is available from your dealer in the Repair Manual for your vehicle. Some vehicle specific wiring instructions are available on our website at: <http://www.3built.com/wiring.asp>.
- 3) Do not connect any RES wire to the high voltage spark plug wire.
- 4) This device is a remotely activated switch. The switch can be connected as a normally-open or normally-closed switch while the vehicle is in the RUN mode. **The internal relay is limited to switching 10 amperes, maximum.**
- 5) It is important to determine your OEM (original equipment manufacturer) RUN/STOP switch type before installation. Improper installation of this unit can damage your vehicle's electrical system and CDI. If unsure, please consult a professional.
- 6) DEFINITIONS

OEM - Original Equipment Manufacturer. This is any component that the vehicle originally came equipped with from the factory.

RES - 3Built's Remote Engine Shut-off kit

Normally-open - means that the switch is open (no connection) when the RES is in the unlocked mode. This connection type is typically used for ground type OEM RUN/STOP switches.

Normally-closed - means that the switch is closed (connected) when the RES is in the unlocked mode. This connection type is typically used on positive voltage type OEM Run/Stop switches.

INSTALLATION

- 1) Find a suitable place to mount the *Receiver Module*. Position it so that it will stay dry and will not be damaged in case of an accident. Attach with double sided tape and two 11" plastic wire ties (zip ties).
- 2a) RES12VX & RES12VXCE ONLY - *12VDC Battery Cable* - Attach BLACK wire ring terminal to negative terminal of the battery. Do not attach RED wire until installation is complete.
- 2b) RES6VX & RES6VXCE ONLY - Find a suitable place to mount the "AA" *Battery Pack*. Position it so that it will stay dry and will not be damaged in case of an accident. Attach Velcro® patch to vehicle. Remove cover screw and install four AA batteries. Reinstall cover screw and secure Battery Pack to Velcro® patch. Leave battery pack switched to OFF.
- 3) Plug *Receiver Connector* in to the mating connector on *12VDC Battery Cable* for RES12V units or the "AA" *Battery Pack* for RES6V units.
- 4) Route the Black & Red wire from the *Receiver Module* to the *Receiver Connector*. Cut to appropriate length. Strip both wires about 1/4 inch. Crimp black wire on *Receiver Module* to black wire on the *Receiver Connector*. Do the same for the red wire. Use the 4" *Plastic Wire Ties* to secure cable to vehicle. Additional wire ties may be necessary to keep wire safe. Improperly mounted wires can become damaged and short to the frame causing damage to the vehicle and rider. Damage may include high heat and/or fire.
- 5) Choose either Normally Open or Normally Closed connection type. **See image on next page.**
 - 5a) **Normally Open Connection (10-amp max.)**

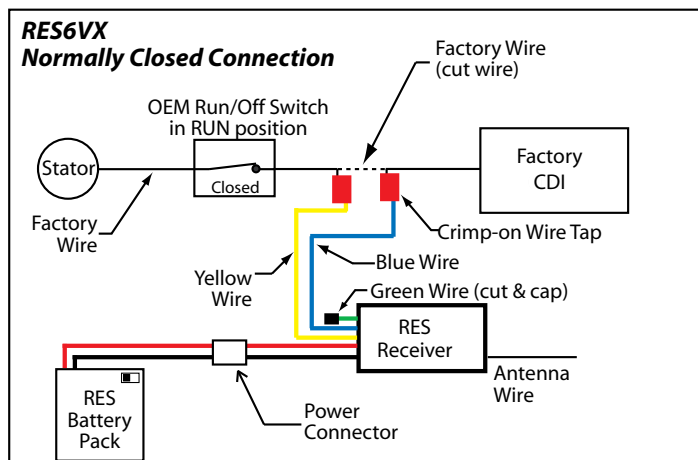
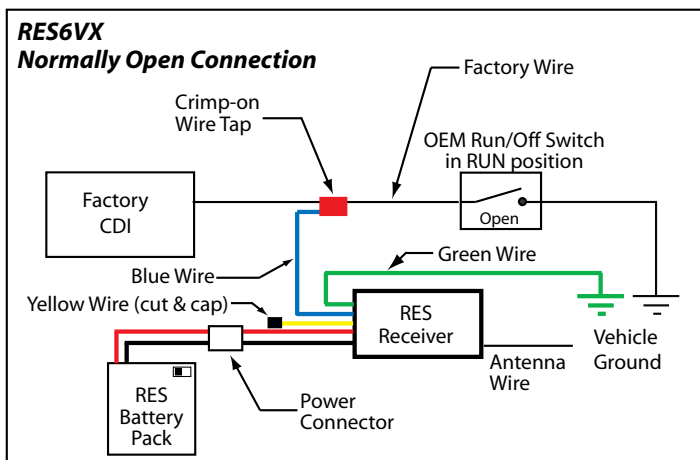
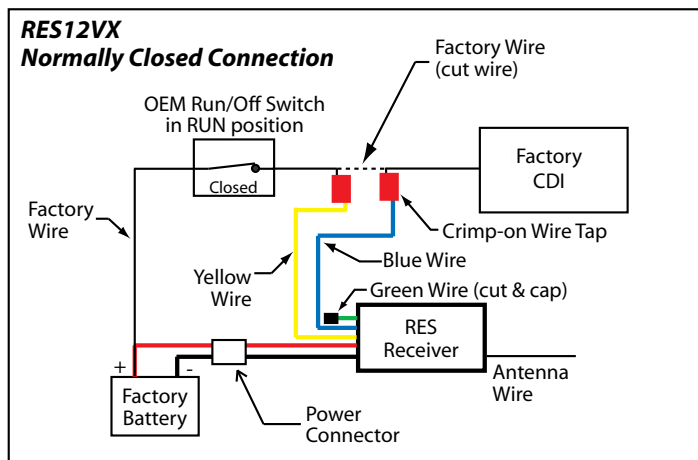
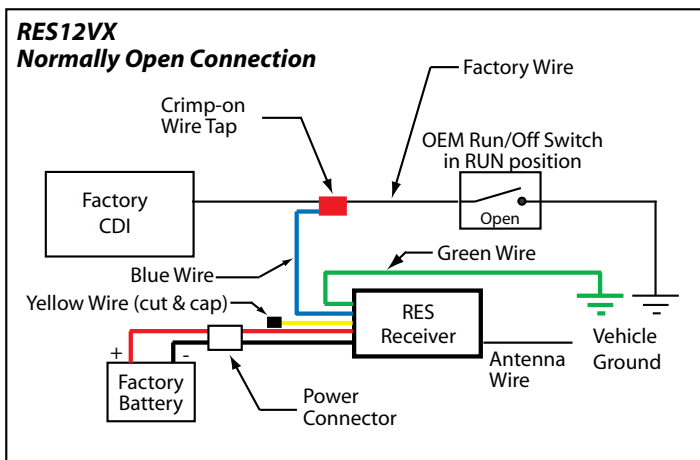
Yellow Wire - Cut wire near *Receiver Module* and protect end of wire from making contact to anything. This wire will not be used.

Blue Wire - The wire will be attached to the vehicle's electrical system via a *Crimp-on Wire Tap*. The location of the crimp is very important. The OEM RUN/STOP switch has two wires. One comes from the CDI and the other goes to the vehicle's ground. The crimp must be placed between the CDI and the OEM Run/Stop switch. Crimping the Blue Wire to an incorrect wire may damage the CDI or other electrical component. Use caution and consult a professional if unsure.

Green Wire - Attach green wire to vehicle ground or negative side of battery.
 - 5b) **Normally Closed Connection (10-amp max.)**

Green Wire - Cut wire near *Receiver Module* and protect end of wire from making contact to anything. This wire will not be used.

Blue & Yellow Wire - Identify the power wire from the OEM Run/Stop switch to the CDI. Cut the wire and use the supplied *Crimp-on Wire Taps* to attach the *Blue Wire* to one end of the cut wire and the *Yellow Wire* to the other end of the cut wire. It does not matter which wire is attached to which side of the cut wire. It is very important to cut the correct wire for proper operation. Incorrect wiring can damage the CDI or other electrical component. Use caution and consult a professional if unsure.



6) Extend the black antenna wire on the Receiver to its full length. Keep the antenna wire away from other metallic objects and ignitions system parts or range may be affected.

7a) RES12VX, RES12VCE & RES12VXD ONLY - Connect the ring terminal of the red wire on 12VDC Battery Cable to the positive terminal of the battery.

7b) RES6VX, RES6VCE & RES6VXD ONLY - Turn "AA" Battery Pack, ON.

8) Each time the receiver is powered up, the receiver will emit a half-second beep to indicate that it has power.

9) Once the system is fully installed on the vehicle, start the vehicle. Press the "Lock" button. The engine should now be disabled. It will be impossible to restart the engine until the RES is "Unlocked", power is disconnected, or 8 seconds has elapsed on some kits.

10) Unlock the RES unit by pressing the "UnLock" button. The receiver will automatically "unlock" after 8 seconds to conserve battery power and be ready to be "locked" again on some kits (see below)

- RES12VX, RES6VX, RES12VCE, RES6VCE - will automatically Unlock after 8 seconds has elapsed from being Locked

- RES12VXD, RES6VXD - will stay locked until Unlocked or power is disconnected. It will not automatically unlock.

11) Test the system again at low speed to understand how the system operates. Engine power will be disabled when the "Lock" button is pressed within 250 feet of the vehicle. The RES will not slow down or stop the vehicle. The RES only disables the engine.

12) **The RES receiver consumes a small amount of power from the battery.** (This is normal for all radio frequency receivers.)

After 12 hours, the Receiver will automatically power down to conserve battery power. The receiver will not respond to the transmitter until power is disconnected for 2 seconds and reconnected to power.

12a) RES12VX & RES12VCE ONLY-To avoid draining the factory battery, we suggest that you disconnect the 12VDC Battery Cable connector when the vehicle is not in use.

12b) RES6VX & RES6VCE ONLY - To conserve battery power, switch the power switch on the "AA" Battery Pack to OFF when not in use.

BEEP SIGNALS:

Power Up - one half second beep for RES12VX and RES6VX kits

Power Up - two half second beeps for RES12VCE and RES6VCE kits

Lock - one short beep

Unlock - two short beeps

Automatic Unlock - three short beeps

Receiver memory is empty - one half second beep and two 1.5 second beeps. Receiver will not respond to transmitter. Refer to transmitter programming instructions at <http://www.3built.com/pages/support>

NOTE:

Vehicle specific wiring instructions may be available on-line at our website at:

<http://www.3built.com/pages/support>

FOR TECHNICAL SUPPORT please e-mail:

techsupport@3built.com

These instructions are subject to change without notice.



www.3built.com

Technical Support: techsupport@3built.com

Sales: sales@3built.com

818-574-5334