

3BUILT LLC
REMOTELY ACTIVATED SWITCH/RELAY
END USER AGREEMENT

NOTICE TO USER: PLEASE READ THIS AGREEMENT CAREFULLY. BY INSTALLING AND/OR USING ALL OR ANY PORTION OF THIS PRODUCT YOU ACCEPT ALL THE TERMS AND CONDITIONS OF THIS AGREEMENT, INCLUDING, IN PARTICULAR THE LIMITATIONS ON: FUNCTIONALITY AND RANGE IN SECTION 2; WARRANTY IN SECTION 3; LIABILITY IN SECTION 5. YOU AGREE THAT THIS AGREEMENT IS LIKE ANY WRITTEN NEGOTIATED AGREEMENT SIGNED BY YOU. THIS AGREEMENT IS ENFORCEABLE AGAINST YOU AND ANY LEGAL ENTITY THAT OBTAINED THE PRODUCT AND ON WHOSE BEHALF IT IS USED.

IF YOU DO NOT AGREE TO THE TERMS OF THIS AGREEMENT OR ARE UNDER 18 YEARS OLD, DO NOT INSTALL OR USE THIS PRODUCT. RETURN UNUSED PRODUCT WITHIN TEN (10) DAYS OF PURCHASE FOR A FULL REFUND OF PURCHASE PRICE. VISIT [HTTP://WWW.3BUILT.COM](http://www.3built.com) OR E-MAIL SALES@3BUILT.COM FOR REFUND INFORMATION.

1. DEFINITIONS

- a. "3Built" means 3Built LLC, a California Limited Liability Company, 23036 Windom St., West Hills, Ca. 91307.
- b. "Product" means any radio frequency remotely activated switch/relay sold by 3Built. Also known as, but not limited to, remote engine shut-off, remote kill switch, universal remote switch.
- c. "Documentation" means the Installation Instructions.

2. FUNCTIONALITY AND RANGE. This is a radio frequency controlled device. It is susceptible to radio frequency interference. The control signal is encoded to reduce the possibility of interference but it cannot be eliminated. The interference may cause the Product not to function as stated or desired. This may include non-operation, decreased range, and accidental triggering of the Product.

3. LIMITED WARRANTY. 3Built warrants to the individual or entity that first purchases the Product pursuant to the terms of this agreement that the Product will perform substantially in accordance with the Documentation for the sixty (60) day period following receipt of the Product when used as directed in the Documentation. Non-substantial variation of performance from the Documentation does not establish a warranty right. THIS LIMITED WARRANTY DOES NOT APPLY TO IMPROPERLY INSTALLED, ALTERED OR ABUSED PRODUCT. All warranty claims must be made, along with proof of purchase, within such sixty (60) day period. If the Product does not perform substantially in accordance with the Documentation, the entire liability of 3Built and its affiliates and your exclusive remedy will be limited to either, at 3Built's option, replacement of the Product or refund of the purchase price paid for the Product. THE LIMITED WARRANTY SET FORTH IN THIS SECTION GIVES YOU SPECIFIC LEGAL RIGHTS. YOU MAY HAVE ADDITIONAL RIGHTS WHICH VARY FROM JURISDICTION TO JURISDICTION.

4. DISCLAIMER. THE FOREGOING LIMITED WARRANTY IS THE ONLY WARRANTY MADE BY 3BUILT AND ITS AFFILIATES AND STATES THE SOLE AND EXCLUSIVE REMEDIES FOR 3BUILT, ITS AFFILIATES OR SUPPLIERS' BREACH OF WARRANTY. EXCEPT FOR THE FOREGOING LIMITED WARRANTY AND ANY WARRANTY, CONDITION, REPRESENTATION OR TERM TO THE EXTENT THE SAME CANNOT OR MAY NOT BE EXCLUDED OR LIMITED BY LAW APPLICABLE TO YOU IN YOUR JURISDICTION, 3BUILT AND ITS AFFILIATES AND SUPPLIERS PROVIDE THE PRODUCT *AS-IS* AND *WITH ALL FAULTS* AND EXPRESSLY DISCLAIM ALL OTHER WARRANTIES, CONDITION, REPRESENTATIONS OR TERMS, EXPRESS OR IMPLIED, WHETHER BY STATUTE, COMMON LAW, CUSTOM, USAGE OR OTHERWISE AS TO ANY MATTER, INCLUDING BUT NOT LIMITED TO PERFORMANCE, SECURITY, NON-INFRINGEMENT OF THIRD PARTY RIGHTS, INTEGRATION, MERCHANTABILITY, QUIET ENJOYMENT, SATISFACTORY QUALITY OR FITNESS FOR ANY PARTICULAR PURPOSE. The provisions of Sections 4 and Section 5 will survive the termination of this

agreement, howsoever caused, but this will not imply or create any continued right to use the Product after termination of this Agreement.

5. **LIMITATION OF LIABILITY.** EXCEPT FOR THE EXCLUSIVE REMEDY SET FORTH ABOVE AND AS OTHERWISE PROVIDED IN SECTION 3, IN NO EVENT WILL 3BUILT OR ITS AFFILIATES OR SUPPLIERS BE LIABLE TO YOU FOR ANY LOSS, DAMAGES, CLAIMS OR COSTS WHATSOEVER INCLUDING ANY CONSEQUENTIAL, INDIRECT OR INCIDENTAL DAMAGES, ANY LOST PROFITS OR LOST SAVINGS, ANY DAMAGES RESULTING FROM BUSINESS INTERRUPTION, PERSONAL INJURY OR FAILURE TO MEET ANY DUTY OF CARE, OR CLAIMS BY A THIRD PARTY, EVEN IF A 3BUILT REPRESENTATIVE HAS BEEN ADVISED OF THE POSSIBILITY OF SUCH LOSS, DAMAGES, CLAIMS OR COSTS. THE FOREGOING LIMITATIONS AND EXCLUSIONS APPLY TO THE EXTENT PERMITTED BY APPLICABLE LAW IN YOUR JURISDICTION. 3BUILT'S AGGREGATE LIABILITY AND THAT OF ITS AFFILIATES AND SUPPLIERS UNDER OR IN CONNECTION WITH THIS AGREEMENT WILL BE LIMITED TO THE AMOUNT PAID FOR THE PRODUCT, IF ANY. THIS LIMITATION WILL APPLY EVEN IN THE EVENT OF A FUNDAMENTAL OR MATERIAL BREACH OR A BREACH OF THE FUNDAMENTAL OR MATERIAL TERMS OF THIS AGREEMENT.
6. **INDEMNITY.** You agree to hold 3Built harmless from any and all liabilities, losses, actions, damages, or claims (including all reasonable expenses, costs, and attorneys fees) arising out of or relating to any use of, or reliance on, the Product, including, without limitation reliance on a) batteries, b) range, c) installation, d) performance, and e) failure to exercise reasonable judgment. Nothing contained in this agreement limits 3Built's liability to you in the event of death or personal injury resulting from 3Built's negligence or for the tort of deceit (fraud). 3Built is acting on behalf of its affiliates and suppliers for the purpose of disclaiming, excluding and limiting obligations, warranties and liability, but in no other respects and for no other purpose.
7. **GOVERNING LAW.** This agreement will be governed by and construed in accordance with the substantive laws in force in the State of California, if the Product is purchased when you are in the United States, Canada, or Mexico.
8. **GENERAL PROVISIONS.** If any part of this agreement is found void and unenforceable, it will not affect the validity of the balance of this agreement, which will remain valid and enforceable according to its terms. This agreement will not prejudice the statutory rights of any party dealing as a consumer. This agreement may only be modified by a writing signed by an authorized member of 3Built. This is the entire agreement between 3Built and you relating to the Product and it supercedes any prior representations, discussions, undertakings, communications or advertising relating to the Product.

INSTALLATION INSTRUCTIONS

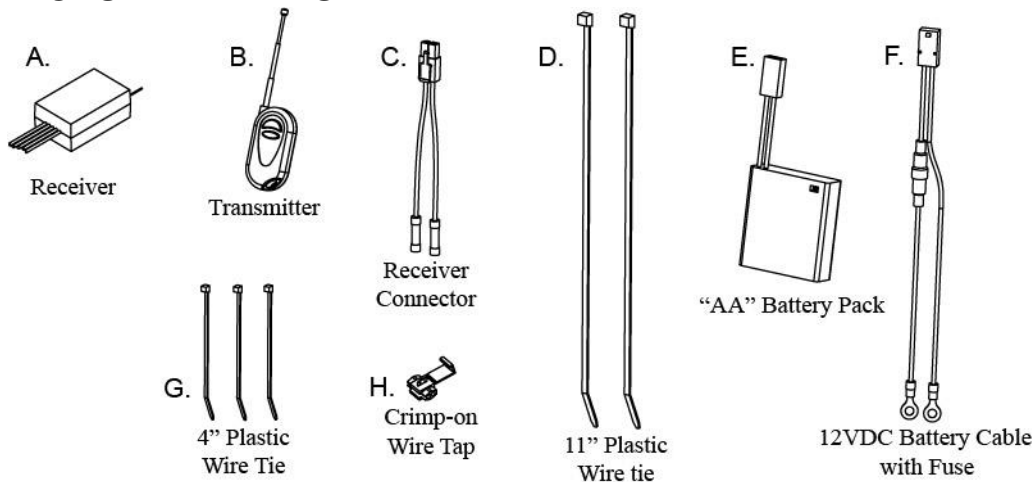
WARNING

BY INSTALLING OR USING THIS PRODUCT YOU AGREE TO OUR "END USER AGREEMENT". IT IS INCLUDED WITH THESE INSTRUCTIONS AND AVAILABLE ON-LINE AT <http://www.3built.com/documents.asp>

Use of this product could result in injuries to the rider due to the sudden loss of engine power. Motorcycles and ATV's may lose stability when engine power is disabled. Control of the vehicle will also be limited after engine is disabled. This product will not stop a vehicle. It will not apply the brakes or any other mechanism to reduce speed. It is designed to disable the engine by shutting off the ignition system. It functions similarly to the vehicle's stock (OEM) STOP/RUN switch. Use extreme caution as to when and where the vehicle is before disabling the engine. Proper judgment must be used when disabling engine power. Performance and range is not guaranteed. Radio frequency interference may be common in some areas. Use of motorcycles, ATV's and other motor vehicles is an inherently dangerous activity. Wear proper protective gear when operating the vehicle. If any doubt of potential injury, do not use. Once installed, to understand how this product functions, test the device by disabling the vehicle's engine, first at idle and then at low speed. This product's installation and use is at your own risk. This product is intended to be installed and used by adults only.

This device complies with part 15 of the FCC Rules. Operation is subject to the following two conditions: (1) This device may not cause harmful interference, and (2) this device must accept any interference received, including interference that may cause undesired operation.

INCLUDED PARTS



GETTING STARTED

- 1) Installation of this device requires electrical and electronics knowledge.
- 2) You should have a wiring diagram for your vehicle before installation. This is available from your dealer in the Repair Manual for your vehicle. Some vehicle specific wiring instructions are available on our website at: <https://3built.com/pages/support>
- 3) Do not connect any Receiver (A) wire to a high voltage spark plug wire.
- 4) This device is a remotely activated switch. The switch can be connected as a normally-open or normally-closed switch while the vehicle is in the RUN mode. **The internal relay is limited to switching 8 amperes, maximum.**
- 5) It is important to determine your OEM (original equipment manufacturer) RUN/STOP switch type before installation. Improper installation of this unit can damage your vehicle's electrical system and CDI. If unsure, please consult a professional.

6) DEFINITIONS

OEM - Original Equipment Manufacturer. This is any component that the vehicle originally came equipped with from the factory.

RES - 3Built's Remote Engine Shut-off kit

Normally-open - means that the switch is open (no connection) when the RES is in the unlocked mode. This connection type is typically used for ground type OEM RUN/STOP switches.

Normally-closed - means that the switch is closed (connected) when the RES is in the unlocked mode. This connection type is typically used on positive voltage type OEM Run/Stop switches.

INSTALLATION

- 1) Find a suitable place to mount the *Receiver (A)*. Position it so that it will stay dry and will not be damaged in case of an accident. Attach with included double sided tape and two 11" *Plastic Wire Ties (D)*.
- 2) If your vehicle has a 12-volt battery, then use the *12VDC Battery Cable (F)*. Attach BLACK wire ring terminal to negative terminal of the battery. Do not attach RED wire until installation is complete.
If your vehicle does not have a 12-volt battery, then use the "AA" *Battery Pack (E)*. Find a suitable place to mount the "AA" *Battery Pack (E)*. Position it so that it will stay dry and will not be damaged in case of an accident. Attach the 3M Dual Lock (similar to Velcro) to vehicle. Remove cover screw and install four AA batteries. Reinstall cover screw and secure "AA" *Battery Pack (E)*. Leave battery pack switched to OFF.
- 3) Plug *Receiver Connector (C)* into the mating connector on *12VDC Battery Cable (F)* or the "AA" *Battery Pack (E)*. Please make sure that the red wires line up on both sides of the connector.
- 4) Route the Black & Red wire from the *Receiver (A)* to the *Receiver Connector (C)*. Cut to appropriate length. Strip both wires about 1/4 inch. Crimp black wire on *Receiver Module (A)* to black wire on the *Receiver Connector*. Do the same for the red wire. Use the 4" *Plastic Wire Ties (G)* to secure cable to vehicle. Additional wire ties may be necessary to keep wire safe. Improperly mounted wires can become damaged and short to the frame causing damage to the vehicle and rider. Damage may include high heat and/or fire.
- 5) Choose either Normally Open or Normally Closed connection type. **See image on next page.**

5a) Normally Open Connection (8-amp max.)

Blue Wire – The wire will be attached to the vehicle's electrical system via a *Crimp-on Wire Tap (H)*. The location of the crimp is very important. The OEM RUN/STOP switch has two wires. One comes from the CDI and the other goes to the vehicle's ground. The crimp must be placed between the CDI and the OEM Run/Stop switch. Crimping the Blue Wire to an incorrect wire may damage the CDI or other electrical component. Use caution and consult a professional if unsure.

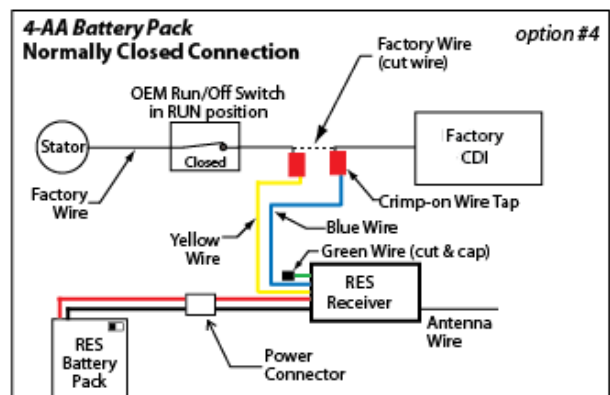
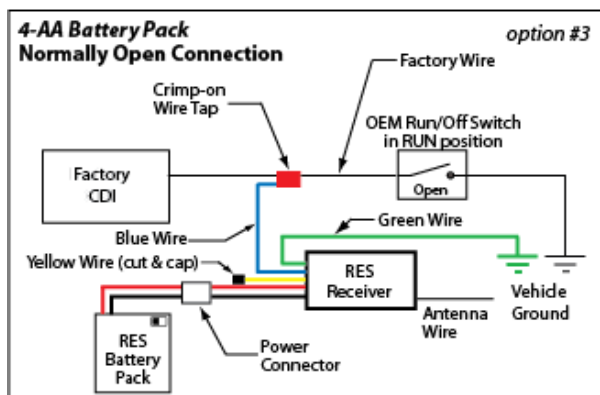
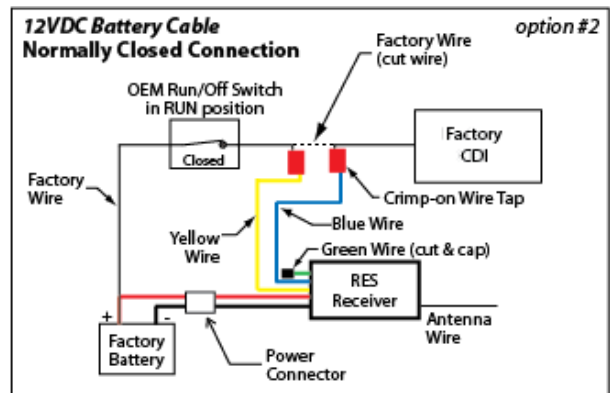
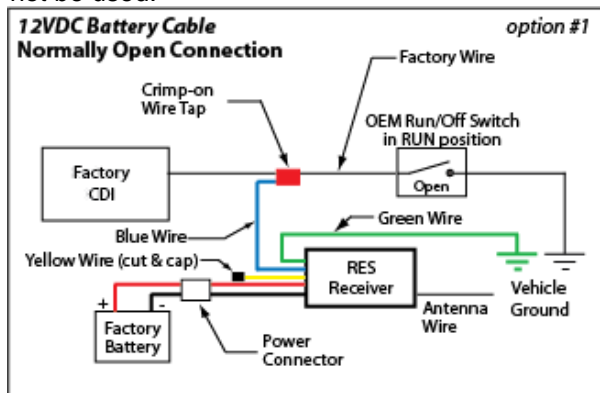
Green Wire - Attach green wire to vehicle ground or negative side of battery.

Yellow Wire - Cut wire near *Receiver (A)* and protect end of wire from making contact to anything. This wire will not be used.

5b) Normally Closed Connection (8-amp max.)

Blue & Yellow Wire – Identify the power wire from the OEM Run/Stop switch to the CDI. Cut the vehicle's wire and attach the *Receiver's Blue Wire* to one end of the cut wire and the *Receiver's Yellow Wire* to the other end of the cut wire. It does not matter which wire is attached to which side of the cut wire. It is very important to cut the correct wire for proper operation. Incorrect wiring can damage the CDI or other electrical component. Use caution and consult a professional if unsure.

Green Wire - Cut wire near *Receiver (A)* and protect end of wire from making contact to anything. This wire will not be used.



- 6) Extend the black antenna wire on the *Receiver (A)* to its full length. Keep the antenna wire away from other metallic objects and ignition system parts or range may be affected.
- 7) If using the *12VDC Battery Cable (F)*, then connect the ring terminal of the red wire on *12VDC Battery Cable (F)* to the positive terminal of the battery. If using the "*AA*" *Battery Pack (E)*, then turn ON the battery pack by sliding the switch to the ON position.
- 8) Each time the receiver is powered up, the *Receiver (A)* will emit a short beep to indicate that it has power.
- 9) Once the system is fully installed on the vehicle, start the vehicle. Press the "LOCK" button on the *Transmitter (B)*. The engine should now be disabled. It will be impossible to restart the engine until the *Receiver (A)* is "unlocked" via the transmitter, power is disconnected to the *Receiver (A)*, or 8 seconds has elapsed if automatic unlock is enabled (default).
- 10) Unlock the *Receiver (A)* by pressing the "UNLOCK" button on the *Transmitter (B)*.
- 11) Test the system again at low speed to understand how the system operates. Engine power will be disabled when the *Receiver (A)* receives a "Lock" command from the transmitter. The *Receiver (A)* will not slow down or stop the vehicle. The *Receiver (A)* only disables the engine.
- 12) **The *Receiver (A)* consumes a small amount of power from the battery.** This is normal for all radio frequency receivers. Please see Optional Settings to disable battery conserving features.
 - 8-seconds after locking the *Receiver (A)*, the *Receiver (A)* will automatically unlock to conserve battery power.
 - After 12 hours, the *Receiver (A)* will automatically power down (sleep mode) to conserve battery power. The *Receiver (A)* will not respond to the *Transmitter (B)* until power is disconnected to the *Receiver (A)* for 2 seconds and reconnected.
 - To further avoid draining the battery, we suggest that you disconnect the *12VDC Battery Cable (F)* connector or switch OFF the "*AA*" *Battery Pack (E)* when the vehicle is not in use.

BEEP SIGNALS FROM THE RECEIVER:

Power Up - one short beep (150ms) for default operation. If additional beeps are heard, then receiver is in Optional Settings mode.

Lock: one short (250ms) beep

Unlock: two short (200ms) beeps

Automatic Unlock: three short (200ms each) beeps

Sleep Mode: four short (200ms each) beeps

Receiver memory is empty: continuous beep. Press Lock on *Transmitter (B)*, wait for 2 seconds, and press Unlock on *Transmitter (B)*. Refer to Receiver Programming Instructions at <http://3built.com/pages/support>

NOTE:

Vehicle specific wiring instructions may be available on-line at our website at: <http://www.3built.com/pages/support>

OPTIONAL SETTINGS:

To use these optional features, see the RES126VX Programming Instructions at: <http://3built.com/pages/support>

- 1) STANDARD/HIGH VIBRATION mode (10g limit): In certain circumstances the normally closed (blue and yellow wire) type of connection can have intermittent connection due to vibration. The Receiver can be switched to high vibration mode which causes the relay to activate on power up. In this case the green and blue wires are used. The yellow wire is not used. There will be additional power consumption in this mode.
- 2) 8-SECOND AUTOMATIC UNLOCK: The 8-second automatic unlock can be disabled. The receiver can then be left locked while power is present.
- 3) 12-HOUR SLEEP MODE: The 12-hour sleep timer can be disabled for continuous operation beyond 12 hours.
- 4) BEEP MODE: The beeping signals can be disabled, if necessary. No audible signals will be given.

TROUBLESHOOTING GUIDE: for low range and other issues see <http://www.3built.com/pages/support>

TECHNICAL SUPPORT: please e-mail: techsupport@3built.com

These instructions are subject to change without notice.

www.3Built.com

Technical Support: techsupport@3built.com

Sales: sales@3built.com or 818-574-5334